



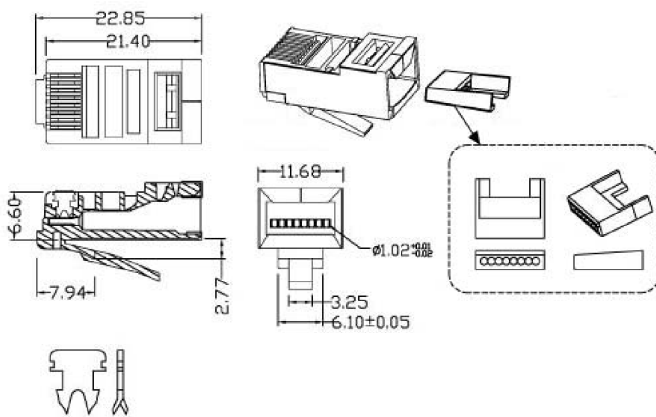
PRODUCT DESCRIPTION

- Structured cabling system applications – Including: Category 5 RJ-45 (8P8C) Shielded Modular Plugs supports standard Ethernet PoE / PoE + / UPoE both single/multi-core cables.

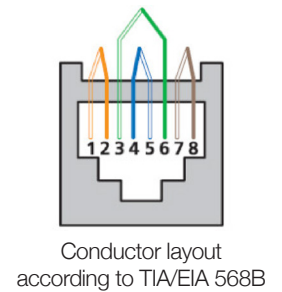
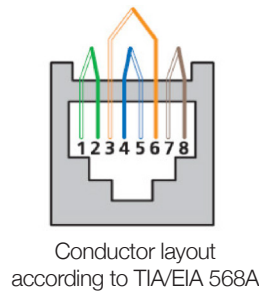
MATERIALS

- Housing RJ-45: polycarbonate (PC, UL94V-2)
- Screening: brass with nickel plating 2.54 microns
- Connector Contacts: phosphor bronze with gold plated 1.27 microns (50µ ") over 2.54 mm nickel-plating
- Contacts Knives: copper alloy

CONSTRUCTION CHARACTERISTIC FEATURES



DESIGN FEATURES



ORDERING

PLUG-8P8C-SV-C5-SH	Modular Plug RJ-45, Category 5 Shielded Solid with Insert
--------------------	---