



DESCRIPTION

CAT6 performance requirements, comply with Gigabit Ethernet application system, suitable for connection between FD to the outlet of the work area, providing up to 250MHz available bandwidth..

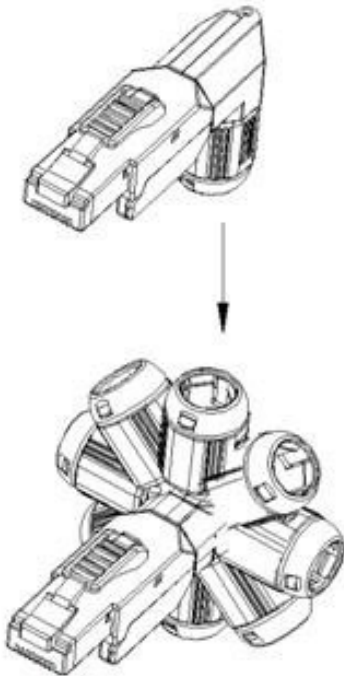
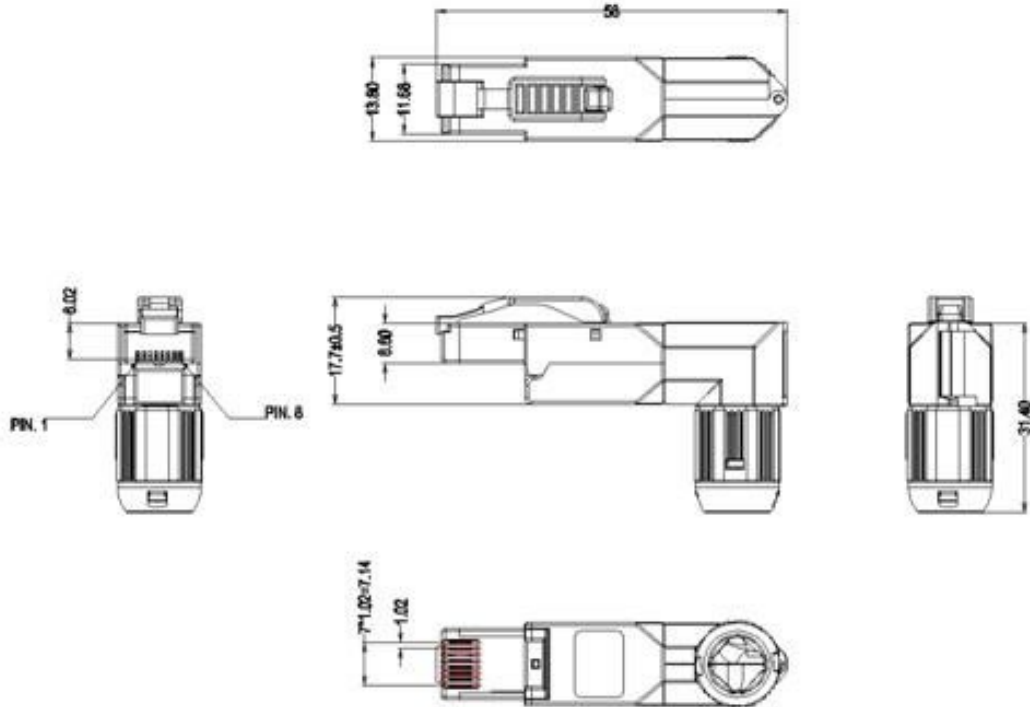
APPLICATION

- Unique exterior design, simple, compact and beautiful
- Comply with ergonomic principle and with termination-free design
- Unique PCB circuit board design reduces EMI/RFI interference, low attenuation loss and high return loss
- Overall zinc alloy shielding design meets the industry standards
- Meet the requirements of both T568A/T568B
- Contact: phosphor bronze, phosphor bronze with 15~50 μ " gold plate, with a durability of 1000 matching recycles
- There are 8 directions (8 x 45°) can be rotated.

CONSTRUCTION

Description:	Parameter
Contact resistance (max)	20m Ω
Insulation resistance(min)	500M Ω
Return loss(dB):	5.1 dB

PRODUCT DIMENTION



8*45°
There is 8 directions can be rotated