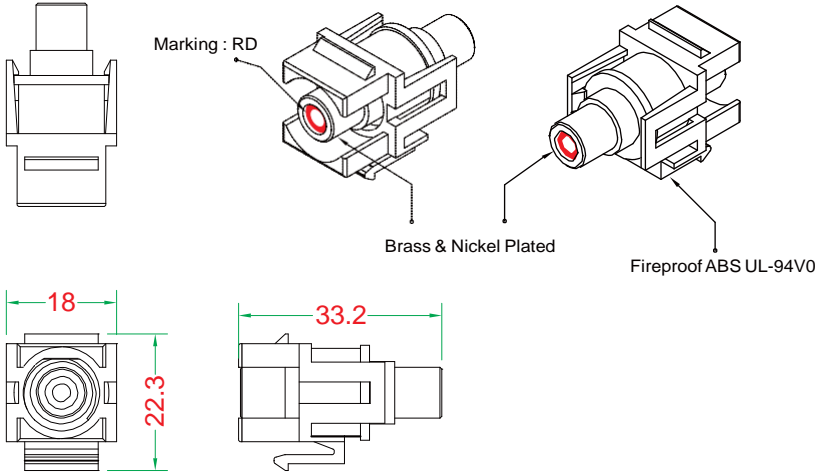




**KEYSTONE INSERT**



DRAW NO:		ITEM NO:	KJZZ1-RCA-D-XX
APPR		CUSTOMER:	
UNIT: mm	DESIGN	DATE:	
SCALE:	Ref. NO:	TOLERANCE:	±1 - X ± 0.2 - XX ± 0.15

 Toll Free: +1-866-634-9737

 Toll Free: +1-888-497-3748

[www.hyperline.com](http://www.hyperline.com) | [info@hyperline.com](mailto:info@hyperline.com)

2212 Gladwin Crescent, Unit C7, Ottawa, Ontario, K1B 5N1, Canada