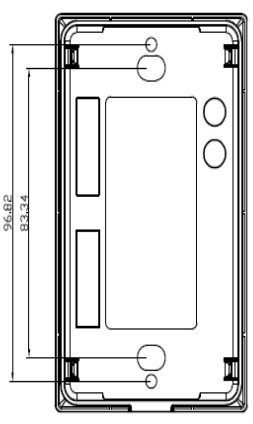
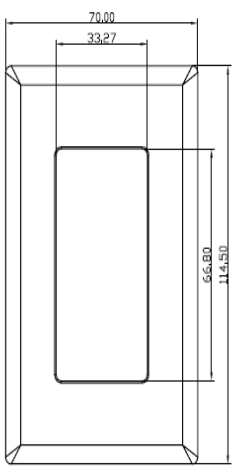
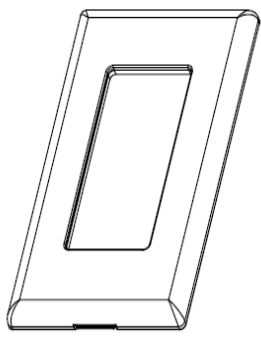
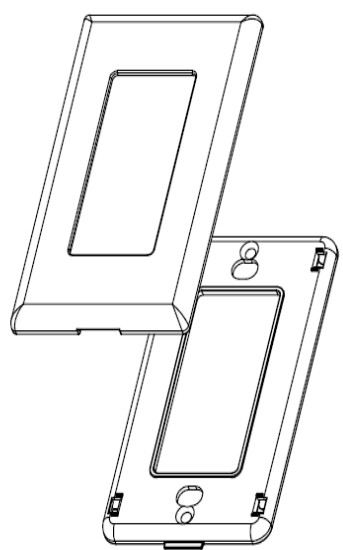


1

REVISIONS				
ZONE	REV	DESCRIPTION	DATE	DRAWN
	A	新技術特轉筆架 EG07023	12/19/06	JASON
	B	ECN筆架 ME07191	06/21/07	JASON
	C	移除UL LOGO.ECN:ME15050	04/01'15	Belle



C 移除UL LOGO



UNLESS OTHERWISE SPECIFIED: TOLERANCES		PROJECT ID 2031D-S		Hyperline		
INCH .X ± .016 .XX ± .008 .XXX ± .004		MM X ± 0.2 .XX ± 0.1 .X ± .5'				
MATERIAL	ABS 94 V-0	DRAWN	JASON	SIZE A4	DRAWING NUMBER Z2362.dwg	PART NUMBER
SURFACE		CHECK		SCALE 1:1	UNIT mm	REV C
FINISH	AS NOTES.	APPROVED		SHEET 1 OF 1		

D
C
B
A