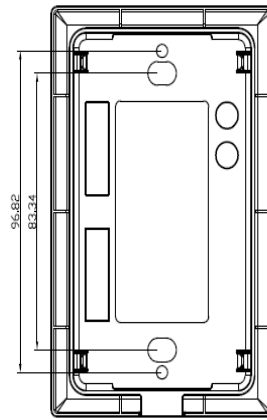
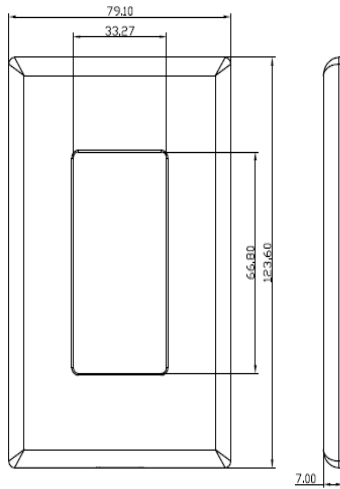
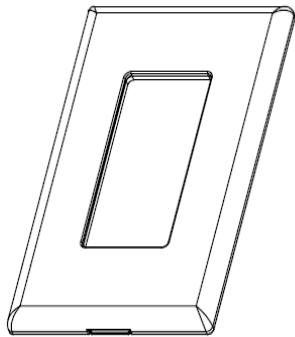
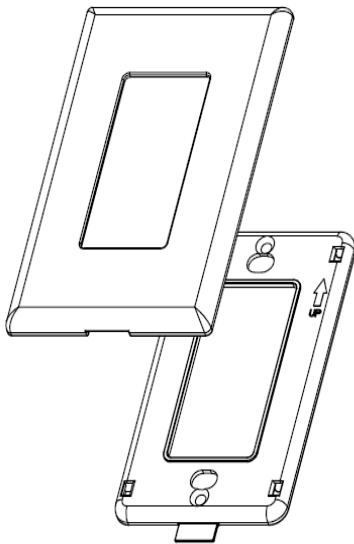


REVISIONS				
ZONE	REV	DESCRIPTION	DATE	DRAWN
	A	新技术规格书 EG07023	12/19/06	JASON
	B	ECN 变更 ME07191	06/21/07	JASON
	C	移除UL LOGO, ECN:ME15050	04/01'15	Belle



△ C 移除UL LOGO



UNLESS OTHERWISE SPECIFIED: TOLERANCES		PROJECT ID 2031D-MS	Hyperline		
INCH MM ANGULAR		FILE Z2368.dwg	DATE	TITLE	
.X ± .016 X ± 0.2 X ± 1°		DRAWN JASON	12/19/06	Decora 2件式面板 Oversize	
.XX ± .008 .XX ± 0.1 .X ± .5°		SURFACE	CHECK	SIZE A4	DRAWING NUMBER Z2368.dwg
XXX ± .004		FINISH AS NOTES.	APPROVED	PART NUMBER	REV C
			SCALE 1:1	UNIT mm	SHEET 1 OF 1