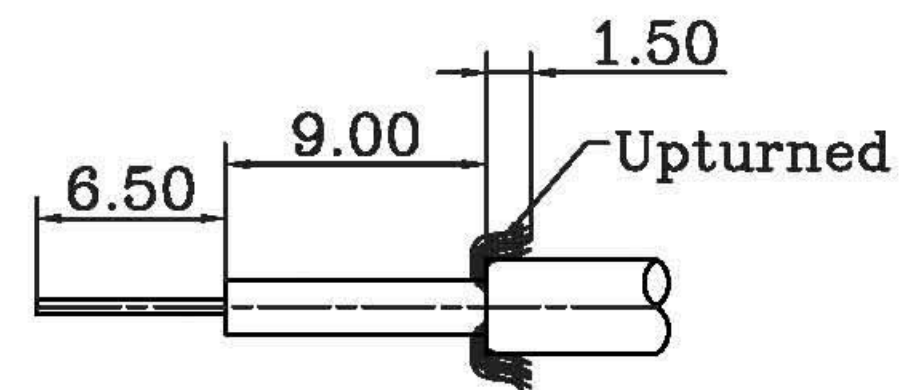
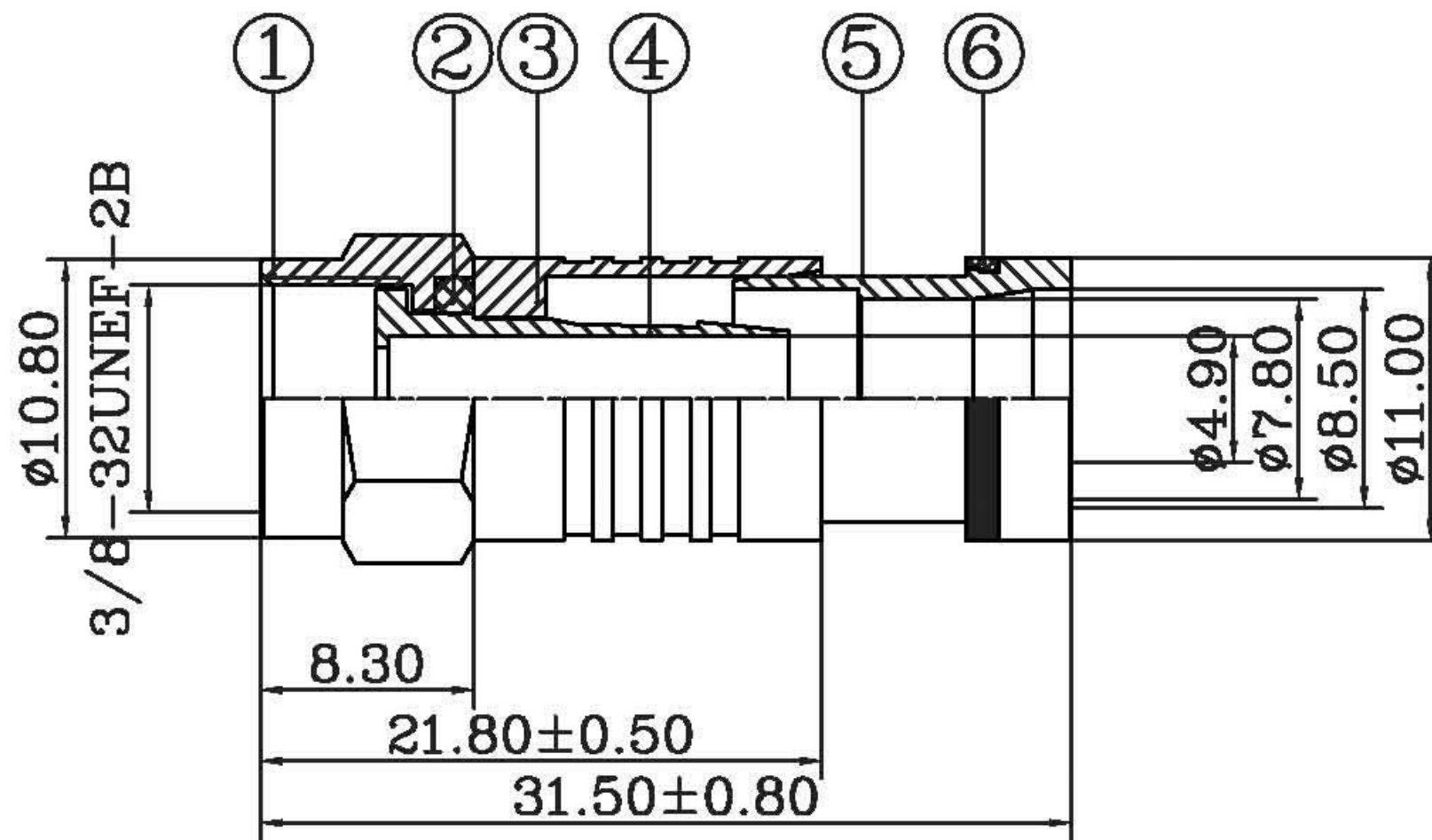
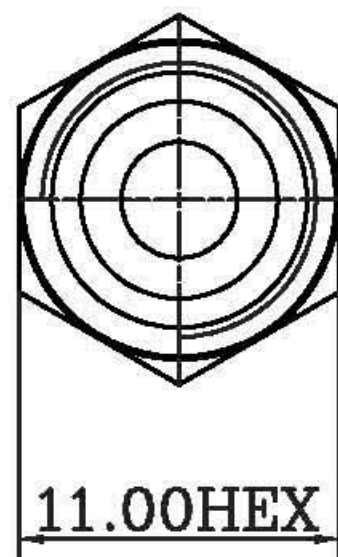


REVISIONS

RevNo	Description	Date	Revision	Mender
1	Hyperline Systems	2003/10/23	A3	Xwj
2	CHANGED THE NUT FROM BRASS TO ZINC	2006/07/21	A4	KEN
3	CHANGED THE "INNER BODY" FROM BRASS TO ZINC	2008/03/17	A5	NQ



RECOMMENDED
CABLE STRIPPING DIM'S

ITEM	DESCRIPTION	MATERIAL	Q'TY	FINISHED
6	GASKET	PVC	1	BLUE
5	REAR BODY	ZINC	1	NICKEL PLATED
4	INNER BODY	ZINC	1	NICKEL PLATED
3	BODY	ZINC	1	NICKEL PLATED
2	O-RING	RUBBER	1	BLACK
1	NUT	ZINC	1	NICKEL PLATED

PART INFORMATION				TITLE	
PART NO.	CON-F-M-RG6-CMP	UNITS	MM	F MALE COMPRESSION TYPE FOR RG6U, RG6U QUAD	
MODEL NO.		SCALE	FIT	UNLESS OTHERWISE SPECIFIED TOLERANCES:	DESIGNED Xwj
DRAWING NO.		EDITION	A1	0.5-15 = ±0.15	DRAWING Xwj
CAD FILE	Yin sheng/Yifaxing/Sf(F)/SF867/SF867C			15-30 = ±0.30	CHECKED David
				30-120 = ±0.60	APPROVED Andy
				>120 = ±1.00	
				ANGLES ±5°	
				PUBLISH DATE	
				2003/08/05	3RD ANGLE